



ANSI Standard Roller Chain - Single Strand

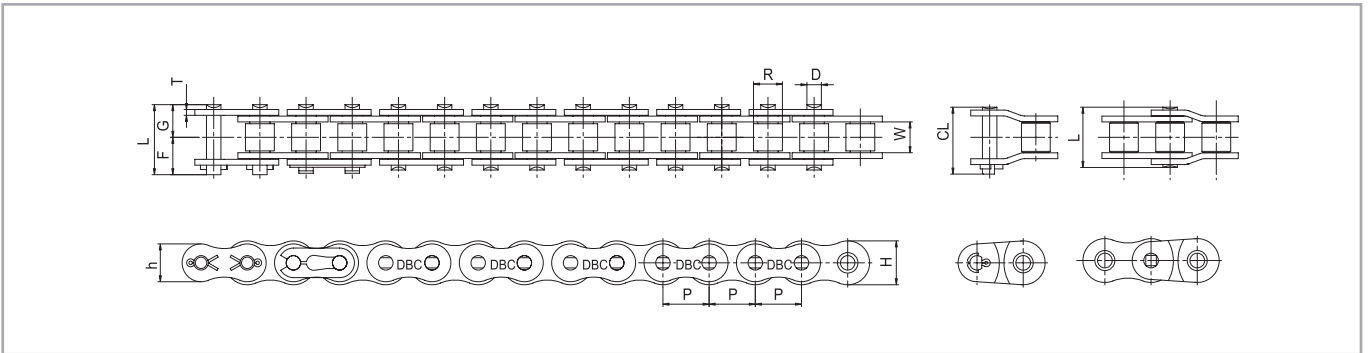
표준형 로울러 체인 - 1열



* This is a standard for power transmission roller chain and complies to
 Korean Standard KS B 1407
 American Standard ANSI B 29.1
 Japanese Standard JIS B 1801
 International Standard ISO R606(Type-A).

Our high quality DBC25~240 chains has certificate <KS>.

* 이 체인은 동력전달용 로울러 체인의 표준형으로서
 한국규격 KS B 1407
 미국규격 ANSI B 29.1
 일본규격 JIS B 1801
 국제규격 ISO R 606(A형) 의 규격과 동일하게 제작되며
 전제품 KS인증을 획득한 고품질 제품입니다.



DONG BO Chain No.		ISO No.	Pitch	Inner width	Roller Dia	Plate			Pin				Transverse pitch	min Breaking Load	max Allowable Load	Approx Weight
Standard Designation	ANSI No.					H max	h max	T	D max	L	F	G				

unit : mm																	
DBC	25-1	04C-1	6.35	3.18	*3.30	6.0	5.2	0.75	2.31	7.6	3.8	4.8		6.4	370	65	0.14
DBC	35-1	06C-1	9.525	4.78	*5.08	9.0	7.8	1.25	3.59	11.7	5.85	6.85	13.5	10.1	890	220	0.33
DBC	41-1	-	12.70	6.38	7.77	9.9	8.5	1.25	3.59	13.5	6.75	7.95	15.1		680	230	0.41
DBC	40-1	08A-1	12.70	7.95	7.92	12.0	10.4	1.5	3.98	16.5	8.25	9.95	18.0	14.4	1.550	370	0.64
DBC	50-1	10A-1	15.875	9.53	10.16	15.0	13.0	2.0	5.09	20.6	10.3	12.0	22.5	18.1	2.450	650	1.04
DBC	60-1	12A-1	19.05	12.70	11.91	18.1	15.6	2.4	5.96	25.7	12.85	15.25	28.2	22.8	3.490	900	1.53
DBC	80-1	16A-1	25.40	15.88	15.88	24.1	20.8	3.2	7.94	32.5	16.25	19.25	36.6	29.3	6.250	1.500	2.66
DBC	100-1	20A-1	31.75	19.05	19.05	30.1	26.0	4.0	9.54	39.5	19.75	22.85	44.4	35.8	9.740	2.300	3.99
DBC	120-1	24A-1	38.1	25.40	22.23	36.2	31.2	4.8	11.11	49.8	24.9	28.9	55.8	45.4	1.4000	3.100	5.93
DBC	140-1	28A-1	44.45	25.40	25.40	42.2	36.4	5.6	12.71	53.8	26.9	31.7	60.5	48.9	18.970	4.100	7.49
DBC	160-1	32A-1	50.80	31.75	28.58	48.2	41.6	6.4	14.29	63.7	31.85	36.85	71.0	58.5	24.960	5.400	10.10
DBC	180-1	-	57.15	35.72	35.71	54.2	46.8	7.1	17.46	71.3	35.65	42.45	80.6	65.8	31.450	6.200	13.45
DBC	200-1	40A-1	63.50	38.10	39.68	60.3	52.0	8.0	19.85	78.0	39.0	44.8	87.3	71.6	38.950	7.300	16.49
DBC	240-1	48A-1	76.20	47.63	47.63	72.4	62.4	9.5	23.81	95.8	47.9	55.5	106.7	87.8	56.170	10.100	24.5

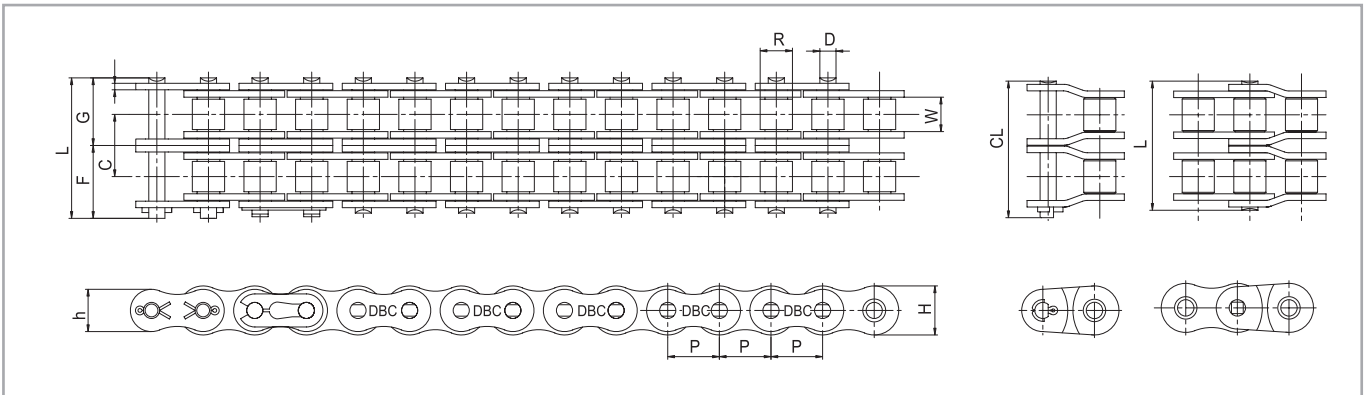
주)DBC 60번 이하는 스프링클립형 연결구가, 80번 이상은 분할핀형 연결구가 표준으로 사용 됩니다.

note)Spring Clip type connecting link is applied to DBC 60 and smaller and Cotter type applied to DBC 80 and lager.



ANSI Standard Roller Chain - Double Strand

표준형 로울러 체인 - 2열



DONG BO Chain No.		ISO No.	Pitch	Inner width		Roller Dia	Plate			Pin				Transverse pitch	min Breaking Load	max Allowable Load	Approx Weight
Standard Designation	ANSI No.			P	W min		H max	h max	T	D max	L	F	G				

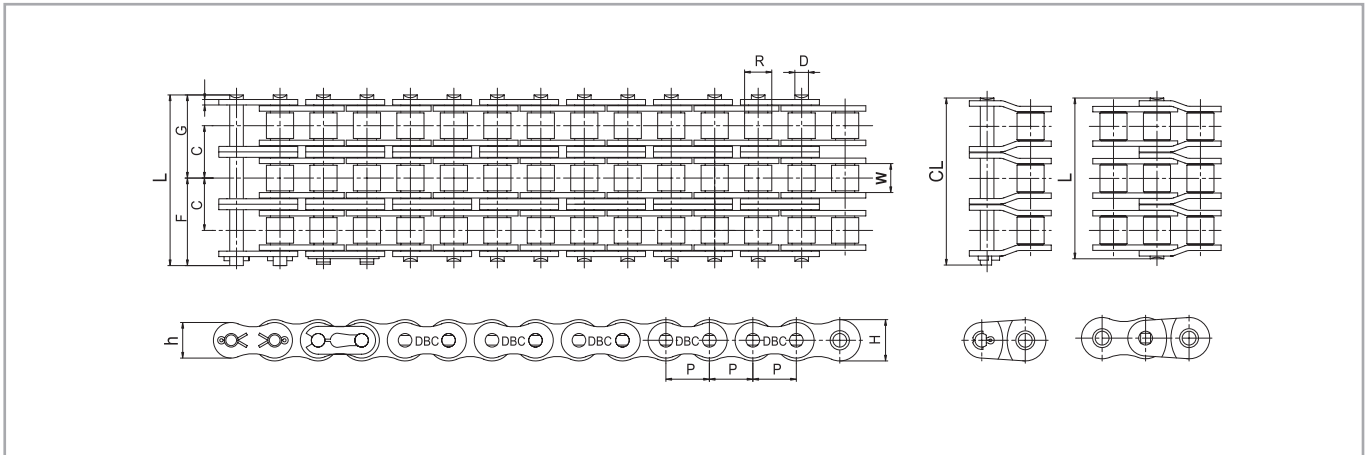
unit : mm

DBC	25-2	04C-2	6.35	3.10	*3.30	6.0	5.2	0.75	2.31	14.0	7.0	8.0		6.4	740	110	0.27
DBC	35-2	06C-2	9.525	4.68	*5.08	9.0	7.8	1.25	3.59	21.8	10.9	11.9	24.5	10.1	1.780	370	0.69
DBC	40-2	08A-2	12.70	7.85	7.92	12.0	10.4	1.5	3.98	30.9	15.45	17.15	33.5	14.4	3.100	630	1.27
DBC	50-2	10A-2	15.875	9.40	10.16	15.0	13.0	2.0	5.09	38.7	19.35	21.15	41.8	18.1	4.900	1.100	2.07
DBC	60-2	12A-2	19.05	12.57	11.91	18.1	15.6	2.4	5.96	48.5	24.25	26.75	52.6	22.8	6.980	1.530	3.04
DBC	80-2	16A-2	25.40	15.75	15.88	24.1	20.8	3.2	7.94	61.8	30.9	33.9	67.5	29.3	12.500	2.550	5.27
DBC	100-2	20A-2	31.75	18.90	19.05	30.1	26.0	4.0	9.54	75.4	37.7	40.8	81.5	35.8	19.480	3.910	7.85
DBC	120-2	24A-2	38.1	25.22	22.23	36.2	31.2	4.8	11.11	95.2	47.6	51.6	103.2	45.4	28.000	5.270	11.70
DBC	140-2	28A-2	44.45	25.22	25.40	42.2	36.4	5.6	12.71	102.7	51.35	56.15	112.3	48.9	37.940	6.970	14.83
DBC	160-2	32A-2	50.80	31.55	28.58	48.2	41.6	6.4	14.29	122.3	61.15	66.15	132.2	58.5	49.920	9.180	20.04
DBC	180-2	-	57.15	35.48	35.71	54.2	46.8	7.1	17.46	137.5	68.75	75.35	151.1	65.8	62.900	10.540	26.52
DBC	200-2	40A-2	63.50	37.85	39.68	60.3	52.0	8.0	19.85	149.7	74.85	80.65	161.2	71.6	77.900	12.410	32.63
DBC	240-2	48A-2	76.20	47.35	47.63	72.4	62.4	9.5	23.81	183.8	91.9	99.4	198.4	87.8	112.340	17.170	48.1



ANSI Standard Roller Chain - Triple Strand

표준형 로울러 체인 - 3열



DONG BO Chain No.		ISO No.	Pitch	Inner width	Roller Dia	Plate			Pin					Transverse pitch	min Breaking Load	max Allowable Load	Approx Weight
Standard Designation	ANSI No.					H max	h max	T	D max	L	F	G	CL				
			P	W min	R max												

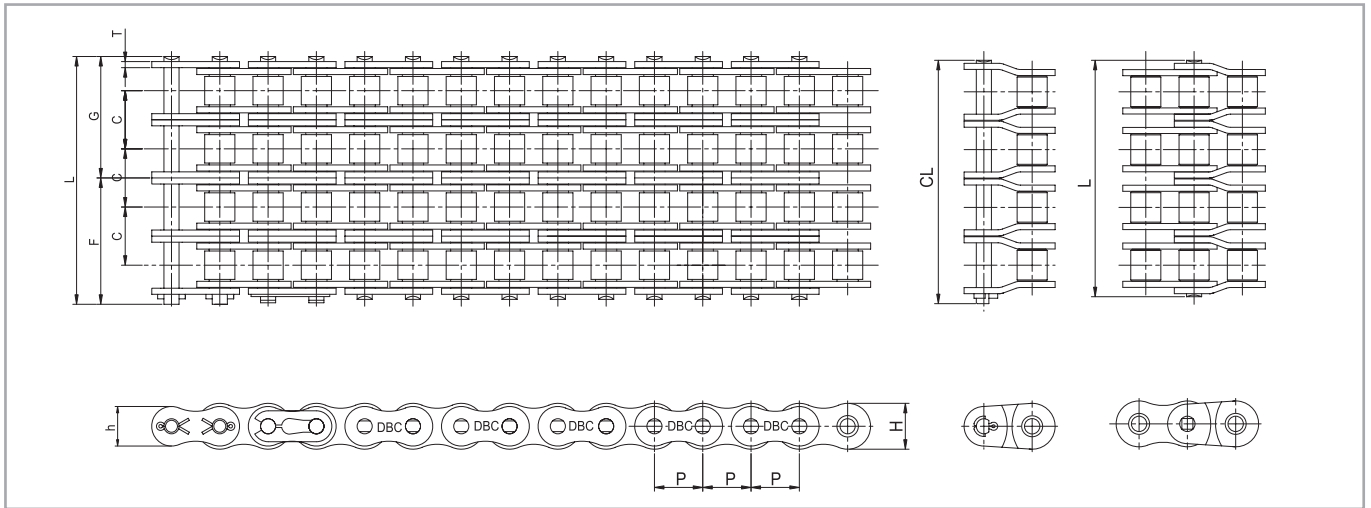
DBC																		
35-3	06C-3	9.525	4.68	*5.08	9.0	7.8	1.25	3.59	32.0	16.0	16.9	34.6	10.1	3.670	550	1.05		
40-3	08A-3	12.70	7.85	7.92	12.0	10.4	1.5	3.98	45.3	22.65	24.15	47.9	14.4	4.650	930	1.90		
50-3	10A-3	15.875	9.40	10.16	15.0	13.0	2.0	5.09	56.8	28.4	30.2	59.9	18.1	7.350	1.630	3.09		
60-3	12A-3	19.05	12.57	11.91	18.1	15.6	2.4	5.96	71.3	35.65	38.15	75.5	22.8	10.470	2.250	4.54		
80-3	16A-3	25.40	15.75	15.88	24.1	20.8	3.2	7.94	91.2	45.6	48.5	96.9	29.3	18.750	3.750	7.89		
100-3	20A-3	31.75	18.90	19.05	30.1	26.0	4.0	9.54	111.3	55.65	58.75	117.3	35.8	29.220	5.750	11.77		
120-3	24A-3	38.1	25.22	22.23	36.2	31.2	4.8	11.11	140.8	70.4	74.4	148.6	45.4	42.000	7.750	17.53		
140-3	28A-3	44.45	25.22	25.40	42.2	36.4	5.6	12.71	151.7	75.85	80.75	161.3	48.9	56.910	10.250	22.20		
160-3	32A-3	50.80	31.55	28.58	48.2	41.6	6.4	14.29	180.9	90.45	95.45	190.7	58.5	74.880	13.500	30.02		
180-3	-	57.15	35.48	35.71	54.2	46.8	7.1	17.46	203.4	101.7	108.5	216.9	65.8	94.350	15.500	38.22		
200-3	40A-3	63.50	37.85	39.68	60.3	52.0	8.0	19.85	221.5	110.75	116.45	233.0	71.6	116.850	18.250	49.02		
240-3	48A-3	76.20	47.35	47.63	72.4	62.4	9.5	23.81	271.7	135.85	143.15	286.3	87.8	168.510	25.250	71.6		

unit : mm



ANSI Standard Roller Chain - 4.5.6 Strand

표준형 로울러 체인 - 4.5.6열



DONG BO Chain No.		ISO No.	Pitch	Inner width	Roller Dia	Plate			Pin					Transverse pitch	min Breaking Load	max Allowable Load	Approx Weight
Standard Designation	ANSI No.					H	h	T	D max	L	F	G	CL				

unit : mm																	
DBC	40-4	08A-4								59.8	29.9	31.3	62.3				2.53
	40-5	08A-5	12.7	7.85	7.92	12.0	10.4	1.5	3.98	74.2	37.1	38.6	76.8	14.4	6.200	1.220	3.16
	40-6	08A-6								88.6	44.3	45.8	91.2		9.300	1.700	3.79
DBC	50-4	10A-4								74.9	37.45	39.25	78.1		9.800	2.150	4.11
	50-5	10A-5	15.875	9.40	10.16	15.0	13.0	2.0	5.09	93.0	46.5	48.3	96.2	18.1	12.250	2.540	5.14
	50-6	10A-6								111.2	55.6	57.4	114.4		14.700	2.990	6.16
DBC	60-4	12A-4								94.1	47.05	49.55	98.3		13.960	2.970	6.04
	60-5	12A-5	19.05	12.57	11.91	18.1	15.6	2.4	5.96	117.0	58.5	61.0	121.2	22.8	17.450	3.510	7.54
	60-6	12A-6								139.8	69.9	72.5	144.0		20.940	4.140	9.05
DBC	80-4	16A-4								120.5	60.25	63.25	126.3		25.000	4.950	10.50
	80-5	16A-5	25.40	15.75	15.88	24.1	20.8	3.2	7.94	149.9	74.95	77.95	155.6	29.3	31.250	5.850	13.11
	80-6	16A-6								179.2	89.6	92.5	184.9		37.500	6.900	15.73
DBC	100-4	20A-4								147.1	73.55	76.65	153.1		38.960	7.590	15.70
	100-5	20A-5	31.75	18.90	19.05	30.1	26.0	4.0	9.54	183.0	91.5	94.6	188.9	35.8	48.700	8.970	19.53
	100-6	20A-6								218.9	109.45	112.55	224.7		58.440	10.580	23.48
DBC	120-4	24A-4								186.2	93.1	97.1	194.0		56.000	10.230	23.36
	120-5	24A-5	38.10	25.22	22.23	36.2	31.2	4.8	11.11	231.7	115.85	119.85	239.4	45.4	70.000	12.090	29.16
	120-6	24A-6								277.1	138.55	142.55	284.8		84.000	14.260	34.96
DBC	140-4	28A-4								200.6	100.3	105.2	210.2		75.880	13.530	28.52
	140-5	28A-5	44.45	25.22	25.40	42.2	36.4	5.6	12.71	249.6	124.8	129.6	259.1	48.9	94.850	15.990	36.97
	140-6	28A-6								298.6	149.3	154.2	308.0		113.820	18.860	44.30
DBC	160-4	32A-4								239.5	119.75	124.65	249.2		99.840	17.820	40.06
	160-5	32A-5	50.80	31.55	28.58	48.2	41.6	6.4	14.29	298.1	149.05	153.95	307.7	58.5	124.800	21.060	49.89
	160-6	32A-6								356.6	178.3	183.3	366.2		149.760	24.840	59.93
DBC	180-4	-								269.3	134.65	141.45	282.8		125.800	20.460	50.90
	180-5	-	57.15	35.48	35.71	54.2	46.8	7.1	17.46	335.2	167.6	174.4	348.6	65.8	157.250	24.180	63.59
	180-6	-								401.1	200.55	207.35	414.4		188.700	28.520	76.27
DBC	200-4	40A-4								293.2	146.6	152.3	304.7		155.800	24.090	65.16
	200-5	40A-5	63.50	37.85	39.68	60.3	52.0	8.0	19.85	364.8	182.4	188.2	376.3	71.6	194.750	28.470	81.32
	200-6	40A-6								436.5	218.25	224.05	448.0		233.700	33.580	97.59
DBC	240-4	48A-4								359.6	179.8	187.3	374.2		224.680	33.330	95.1
	240-5	48A-5	76.20	47.35	47.63	72.4	62.4	9.5	23.81	447.5	223.75	231.26	462.0	87.8	280.850	39.390	118.6
	240-6	48A-6								535.4	267.7	275.1	550.1		337.020	46.460	142.1